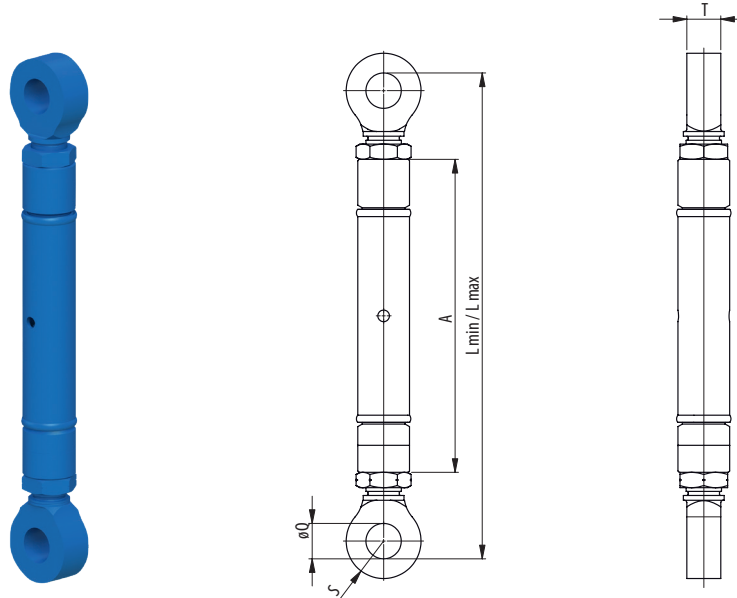


TURNBUCKLES WITH TRAPEZOID THREAD; STUD EYE - STUD EYE



Model No.	WLL (UStons)	L min (inch)	L max (inch)	Take-up (inch)	Thread (trap.)	Dimensions (inch)				Weight (lbs)
						A	øQ	S	T	
SPS TR.22.188.1,6.E-E	1.7	13.74	20.31	6.57	22 x 5	9.45	0.91	0.89	0.79	4
SPS TR.24.200.2.E-E	2.2	14.84	21.97	7.13	24 x 5	10.24	0.98	0.98	0.87	7
SPS TR.28.206.2,5.E-E	2.7	16.18	24.65	8.46	28 x 5	11.02	1.06	1.08	0.98	11
SPS TR.30.228.3,1.E-E	3.4	17.91	26.77	8.86	30 x 6	11.81	1.18	1.18	1.10	11
SPS TR.32.241.4.E-E	4.4	18.66	27.80	9.13	32 x 6	12.60	1.30	1.28	1.18	13
SPS TR.36.240.5.E-E	5.5	21.10	30.63	9.53	36 x 6	13.39	1.54	1.48	1.38	24
SPS TR.44.263.6,3.E-E	6.9	22.80	33.43	10.63	44 x 7	14.96	1.65	1.67	1.57	26
SPS TR.48.297.8.E-E	8.8	25.87	37.52	11.65	48 x 8	16.54	1.89	1.87	1.77	35
SPS TR.52.309.10.E-E	11.0	28.11	40.16	12.05	52 x 8	18.11	2.05	2.17	1.97	51
SPS TR.55.340.12,6.E-E	13.8	30.00	43.86	13.86	55 x 9	19.69	2.20	2.36	2.17	88
SPS TR.65.354.16.E-E	17.6	33.86	48.27	14.41	65 x 10	21.26	2.56	2.56	2.36	121
SPS TR.70.382.20.E-E	22.0	35.59	50.55	14.96	70 x 10	22.83	2.91	2.76	2.56	152
SPS TR.75.404.25.E-E	27.5	38.27	54.09	15.83	75 x 10	24.41	3.07	2.95	2.76	137
SPS TR.80.430.31,5.E-E	34.7	40.87	58.11	17.24	80 x 10	25.98	3.39	3.35	3.15	172
SPS TR.90.495.40.E-E	44.0	46.69	64.96	18.27	90 x 10	27.36	3.78	3.74	3.54	300
SPS TR.100.550.50.E-E	55.1	50.63	71.10	20.47	100 x 10	30.31	4.17	4.13	3.94	353
SPS TR.110.605.63.E-E	69.4	55.35	77.56	22.20	110 x 10	33.27	4.57	4.53	4.33	485
SPS TR.120.660.80.E-E	88.1	60.67	85.47	24.80	120 x 10	36.22	5.16	5.31	4.92	617
SPS TR.130.715.100.E-E	110.2	65.43	93.78	28.35	130 x 10	39.17	5.75	5.83	5.51	816
SPS TR.140.770.125.E-E	137.7	71.02	100.63	29.61	140 x 10	42.13	6.61	6.61	6.30	1102
SPS TR.160.880.160.E-E	176.3	79.84	114.49	34.65	160 x 10	48.03	7.40	7.48	7.09	1598

Minimum Ultimate Strength = 5 x WLL

- Standard painted blue, but can be supplied in any color or galvanized.
- Available in all combinations of eyes, stud eyes and welding ends.
- Factory supplied with lock nuts.
- Lock plates or special locking devices possible.
- Can be supplied with turning wheel or ratchet.
- Other sizes possible.
- Straight or in-line pull only.

